

Resistive Single-touch

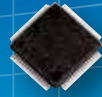
AST/ATP, QST Series
FST Series



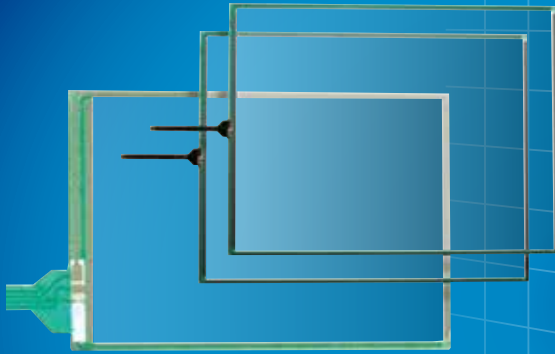
TSC-54 Series



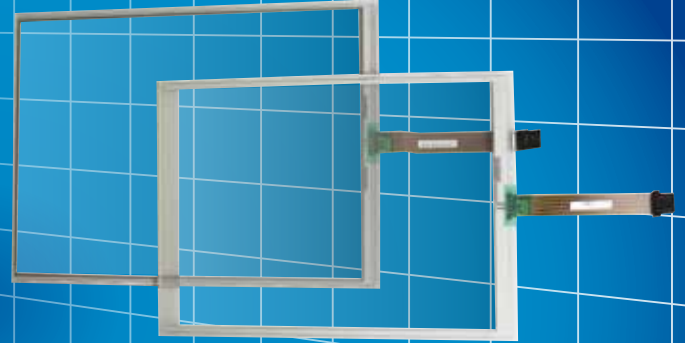
TSC-55 Series



TSC-50/IC



4 Wire Resistive
(AST/ATP, QST Series)
Over 10 million touches

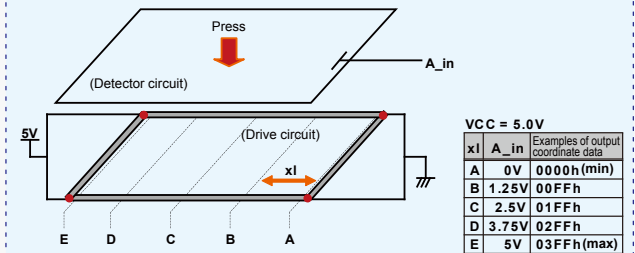
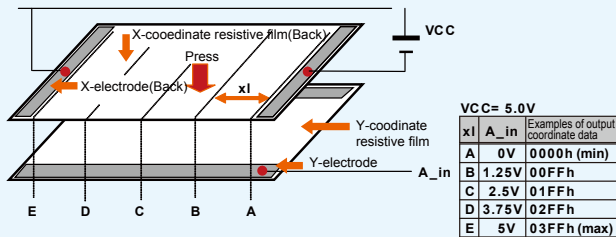
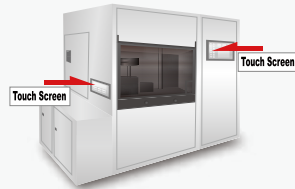
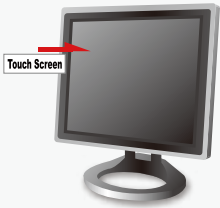


5 Wire Resistive
(FST Series)
Over 35 million touches

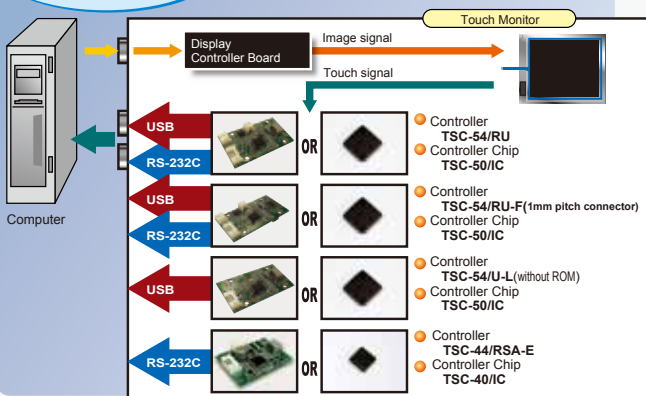
Cases



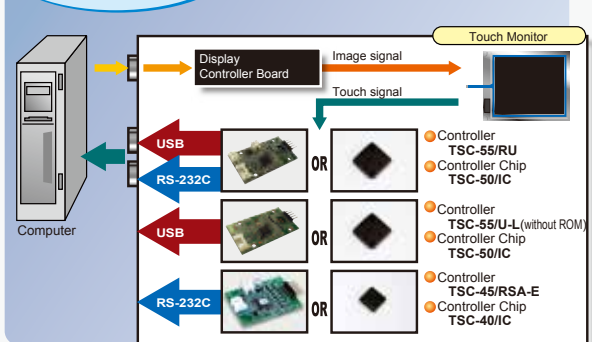
DMC Co., Ltd.
Interface with Touch



4 Wire Resistive Touch Screen Controller



5 Wire Resistive Touch Screen Controller



Resistive Single-touch

AST/ATP, QST, FST Series

Standard 4 Wire Resistive Touch Screen

Part No.	Size	Tail Length & Position	External Dimension(E)	Viewing Area Dimension (V)	Active Area Dimension (A)	Glass Thickness(Total)
AST-038A050A	3.8"	50mm (Left Side)	87.0 x 65.0mm	78.4 x 59.2mm	77.6 x 58.4mm	0.7mm (1.0mm)
ATP-047	4.7"	50mm (Top Side)	113.0 x 90.0mm	104.0 x 80.5mm	100.0 x 76.0mm	1.1mm (1.4mm)
AST-047A070A	4.7"	70mm (Top Side)	111.2 x 88.0mm	100.0 x 76.0mm	98.0 x 74.0mm	1.1mm (1.4mm)
ATP-057	5.7"	50mm (Top Side)	138.0 x 109.0mm	124.0 x 95.0mm	116.0 x 87.0mm	1.1mm (1.4mm)
AST-057A070A	5.7"	70mm (Left Side)	131.4 x 103.0mm	119.2 x 90.4mm	117.2 x 88.4mm	1.1mm (1.4mm)
AST-062A070A (Build to Order)	6.2" Wide	70mm (Top Side)	163.0 x 71.4mm	151.8 x 59.4mm	149.8 x 57.4mm	1.1mm (1.4mm)
AST-065B080A	6.5"	80mm (Left Side)	155.0 x 117.0mm	139.0 x 104.0mm	133.0 x 100.0mm	1.1mm (1.4mm)
AST-070A080A	7" Wide	80mm (Left Side)	165.0 x 104.0mm	154.9 x 93.9mm	152.4 x 91.4mm	1.1mm (1.4mm)
AST-075A070A	7.5"	70mm (Top Side)	168.0 x 132.0mm	155.8 x 117.8mm	153.8 x 115.8mm	1.1mm (1.4mm)
AST-084A080A	8.4"	80mm (Left Side)	194.0 x 146.0mm	177.0 x 136.0mm	171.5 x 130.0mm	1.8mm (2.1mm)
AST-104A080A	10.4"	80mm (Left Side)	227.0 x 173.0mm	216.0 x 163.0mm	212.0 x 159.0mm	1.8mm (2.1mm)
ATP-104A060B	10.4"	60mm (Top Side)	235.0 x 183.0mm	221.0 x 168.0mm	213.0 x 160.0mm	1.8mm (2.1mm)
AST-105A060A	10.5"	60mm (Top Side)	222.9 x 176.1mm	214.6 x 162.8mm	213.2 x 161.4mm	1.8mm (2.1mm)
AST-121B080A	12.1"	80mm (Left Side)	263.0 x 201.0mm	250.0 x 188.5mm	247.0 x 185.5mm	1.8mm (2.1mm)
AST-150C080A	15.0"	80mm (Left Side)	328.0 x 252.0mm	309.0 x 233.0mm	305.0 x 229.0mm	1.8mm (2.1mm)
AST-150C140A (Build to Order)	15.0"	140mm (Left Side)	328.0 x 252.0mm	309.0 x 233.0mm	305.0 x 229.0mm	1.8mm (2.1mm)
AST-171A140A	17.1"	140mm (Right Side)	354.6 x 295.0mm	342.5 x 274.9mm	340.0 x 272.0mm	1.8mm (2.1mm)
AST-190A140A (Build to Order)	19.0"	140mm (Right Side)	400.6 x 326.4mm	381.9 x 306.7mm	377.3 x 302.1mm	1.8mm (2.1mm)
AST-213A140A (Build to Order)	21.3"	140mm (Left Side)	455.0 x 348.0mm	440.2 x 332.0mm	430.0 x 322.0mm	1.8mm (2.1mm)

*Please contact our sales for a minimum quantity about Build to Order.

Standard 5 Wire Resistive Touch Screen

Part No.	Size	Tail Length & Position	External Dimension(E)	Active Area Dimension (A)	Glass Thickness(Total)
FST-T104C110A	10.4"	110mm (Left Side)	248.9 x 186.7mm	215.9 x 163.8mm	1.8mm (2.1mm)
FST-T121C110A	12.1"	110mm (Left Side)	271.3 x 205.7mm	248.9 x 187.4mm	1.8mm (2.1mm)
FST-T150C110A	15.0"	110mm (Left Side)	332.9 x 248.9mm	307.1 x 231.1mm	1.8mm (2.1mm)
FST-T170C110A	17.0"	110mm (Left Side)	365.4 x 290.2mm	340.0 x 272.4mm	1.8mm (2.1mm)
FST-T190C110A	19.0"	110mm (Left Side)	406.3 x 325.4mm	380.9 x 305.6mm	1.8mm (2.1mm)

Standard 4 Wire Resistive Touch Screen with Enhanced Quality

Part No.	Size	Tail Length & Position	External Dimension(E)	Viewing Area Dimension (V)	Active Area Dimension (A)	Glass Thickness(Total)
QST-057A075H	5.7"	75mm (Left Side)	131.4 x 103.0mm	118.4 x 89.9mm	116.4 x 87.9mm	1.1mm (1.4mm)
QST-070WA075H	7" Wide	75mm (Left Side)	165.0 x 104.0mm	154.9 x 93.9mm	152.4 x 91.4mm	1.1mm (1.4mm)
QST-085WA075H (Build to Order)	8.5" Wide	75mm (Left Side)	194.9 x 128.6mm	185.9 x 114.9mm	183.9 x 111.7mm	1.8mm (2.1mm)
QST-084A075H	8.4"	75mm (Left Side)	183.7 x 141.1mm	129.8 x 172.4mm	127.8 x 170.4mm	1.8mm (2.1mm)
QST-104A075H	10.4"	75mm (Left Side)	227.6 x 175.0mm	215.2 x 162.4mm	211.2 x 158.4mm	1.8mm (2.1mm)
QST-121A075H	12.1"	75mm (Left Side)	263.0 x 201.0mm	250.0 x 188.5mm	247.0 x 185.5mm	1.8mm (2.1mm)
QST-150A075H	15.0"	75mm (Left Side)	328.0 x 252.0mm	309.0 x 233.0mm	305.0 x 229.0mm	1.8mm (2.1mm)

*Please contact our sales for a minimum quantity about Build to Order.

TSC-54/44 Series (4 Wire Resistive)

Part No.	Description	Dimension
TSC-50/IC	Serial/USB Touch Screen Controller IC (RoHS)	LQFP48pin
TSC-40/IC	Serial Touch Screen Controller IC (RoHS)	LQFP32pin
TSC-54/U-L	USB Touch Screen Controller Board. without EEPROM. (RoHS)	53(W)x30(D)x5(H)mm
TSC-54/RU	RS-232C/USB Combo Touch Screen Controller Board. with EEPROM. (RoHS)	53(W)x30(D)x5(H)mm
TSC-54/RU-F	RS-232C/USB Combo Touch Screen Controller Board. with EEPROM. For 1mm pitch connector. (*Reverse side) RoHS	53(W)x30(D)x5(H)mm(*3(H)mm)
TSC-44/RSA-E	RS-232C Touch Screen Controller Board with EEPROM. (RoHS)	40(W)x30(D)x8(H)-(2(H))mm EEPROM is mounted at Solder side.

TSC-55/45 Series (5 Wire Resistive)

Part No.	Description	Dimension
TSC-50/IC	Serial/USB Touch Screen Controller IC (RoHS)	LQFP48pin
TSC-40/IC	Serial Touch Screen Controller IC (RoHS)	LQFP32pin
TSC-55/U-L	USB Touch Screen Controller Board. without EEPROM. (RoHS)	53(W)x30(D)x5(H)mm
TSC-55/RU	RS-232C/USB Combo Touch Screen Controller Board. with EEPROM.(RoHS)	53(W)x30(D)x5(H)mm
TSC-45/RSA-E	RS-232C Touch Screen Controller Board with EEPROM. (RoHS)	40(W)x30(D)x8(H)-(2(H))mm EEPROM is mounted at Solder side.